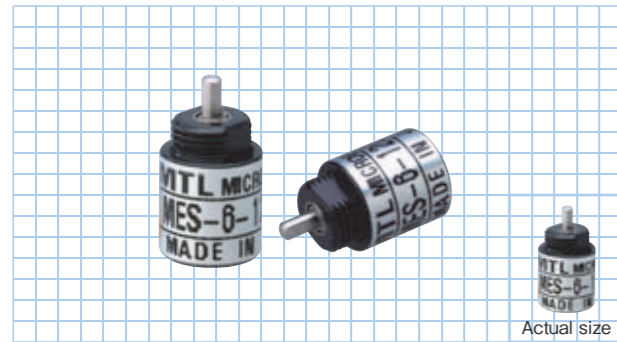


# MES-6-P series

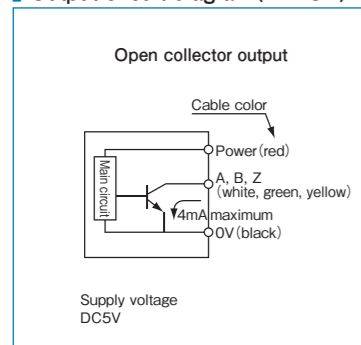
[Square Wave/Incremental]



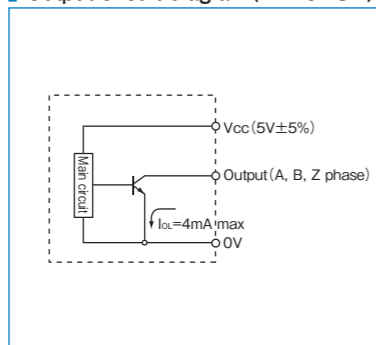
## Specifications

Item	Type name	MES-6-□PC
		Pulse number
Supply voltage		DC5V ±10%
Current consumption		30mA or less (under no load)
Detection system		Incremental
Output pulse number (Standard) [Pulse number/rotation]		100 300 120 360 200 500
	Output phase	A, B, Z phase
Output form		Square wave, open collector output
Output capacity		Sink current: 4mA (output voltage resistance 7V) Residual voltage: 0.4V or less
Maximum response frequency (response pulse number)		100kHz
Output phase difference		A, B phase difference 90°±45° (T/4±T/8) Z phase T±T/2 (see Output Waveform)
Waveform rise/fall time		2μs or less (output cable 300mm or less)
Allowable load of shaft (electrical)	Radial	1.9N (200gf)
	Thrust	0.98N (100gf)
Maximum allowable revolutions (mechanical)		6,000r/min
Working ambient temperature/humidity		0°C~60°C RH35%~90% no dewing
Storing ambient temperature		-20°C~80°C
Vibration resistance		Durability 55Hz, double amplitude 1.5mm 2 hours each in X, Y, and Z directions
Impact resistance		Durability 500m/s <sup>2</sup> (about 50G) 3 times each in X, Y, and Z directions
Cable		Vinyl wire (AWG32) Cable length 300mm
Mass		5g

## Output circuit diagram (ME-6P)

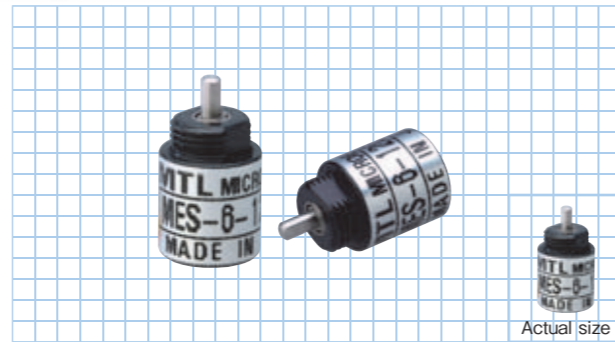


## Output circuit diagram (ME-6PST)



# MES-6-I25PSTI6C

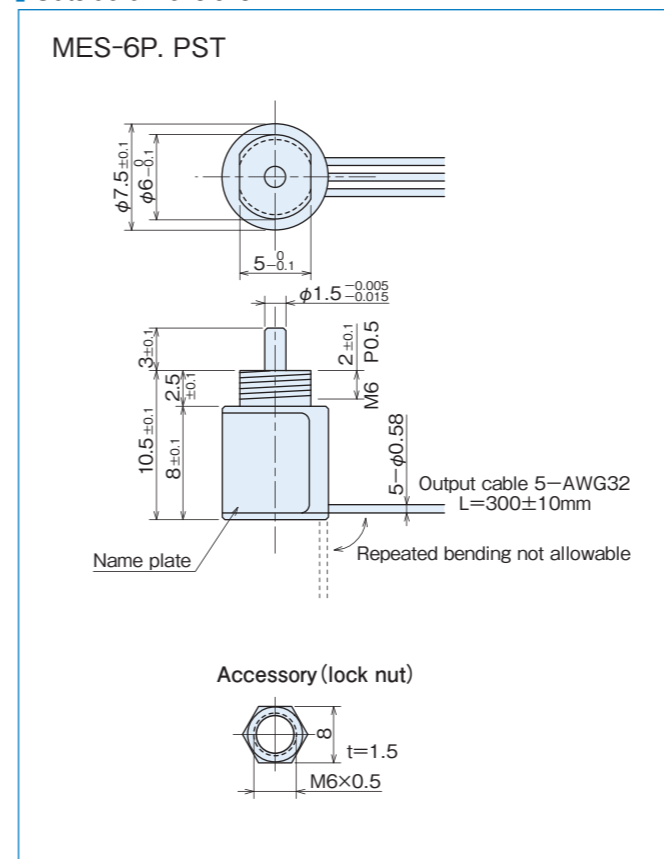
[Square Wave/Incremental]



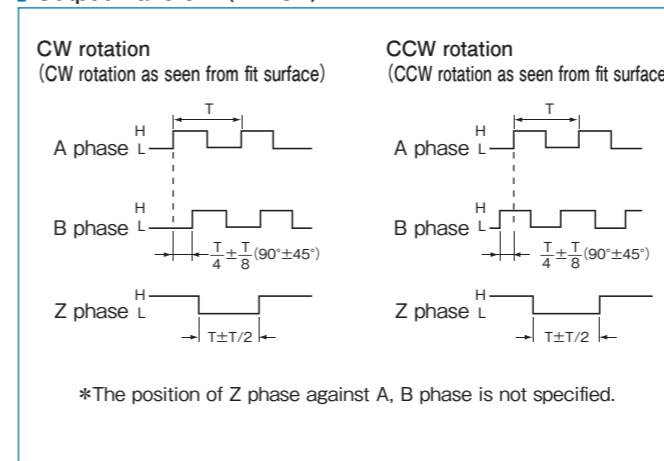
## Specifications

Item	Type name	MES-6-□PST□C
		Pulse number Multiplication
Supply voltage		DC5V ±5%
Current consumption		30mA or less
Detection system		Incremental
Output pulse number (Standard) [Pulse number/rotation]		2,000P/R (125×16), 2048P/R (128×16) 1,000P/R (125×8), 1,024P/R (128×8) 500P/R (125×4), 512P/R (128×4)
	Output phase	A, B, Z phase
Output form		Square wave, open collector output
Output capacity		Output current: 4mA max output voltage resistance : 5.25V or less (power supply voltage or less)
Maximum response frequency (response pulse number)		100kHz
Allowable load of shaft (electrical)	Radial	1.9N (200gf)
	Thrust	0.98N (100gf)
Maximum allowable revolutions (mechanical)		6,000r/min
Working ambient temperature/humidity		0°C~60°C RH35%~90% no dewing
Storing ambient temperature		-20°C~80°C
Vibration resistance		Durability 55Hz, double amplitude 1.5mm 2 hours each in X, Y, and Z directions
Impact resistance		Durability 500m/s <sup>2</sup> (about 50G) 3 times each in X, Y, and Z directions
Cable		Vinyl wire (AWG32) Cable length 300mm
Mass		5g

## Outside dimensions



## Output waveform (ME-6P)



## Output waveform (ME-6PST)

