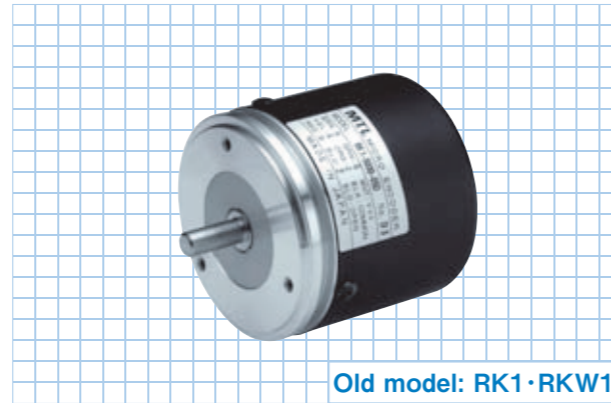


# MES-45 series

[Square Wave/Incremental]

- Old model: RK1/RKW1
- Strong type
- Environment resistance

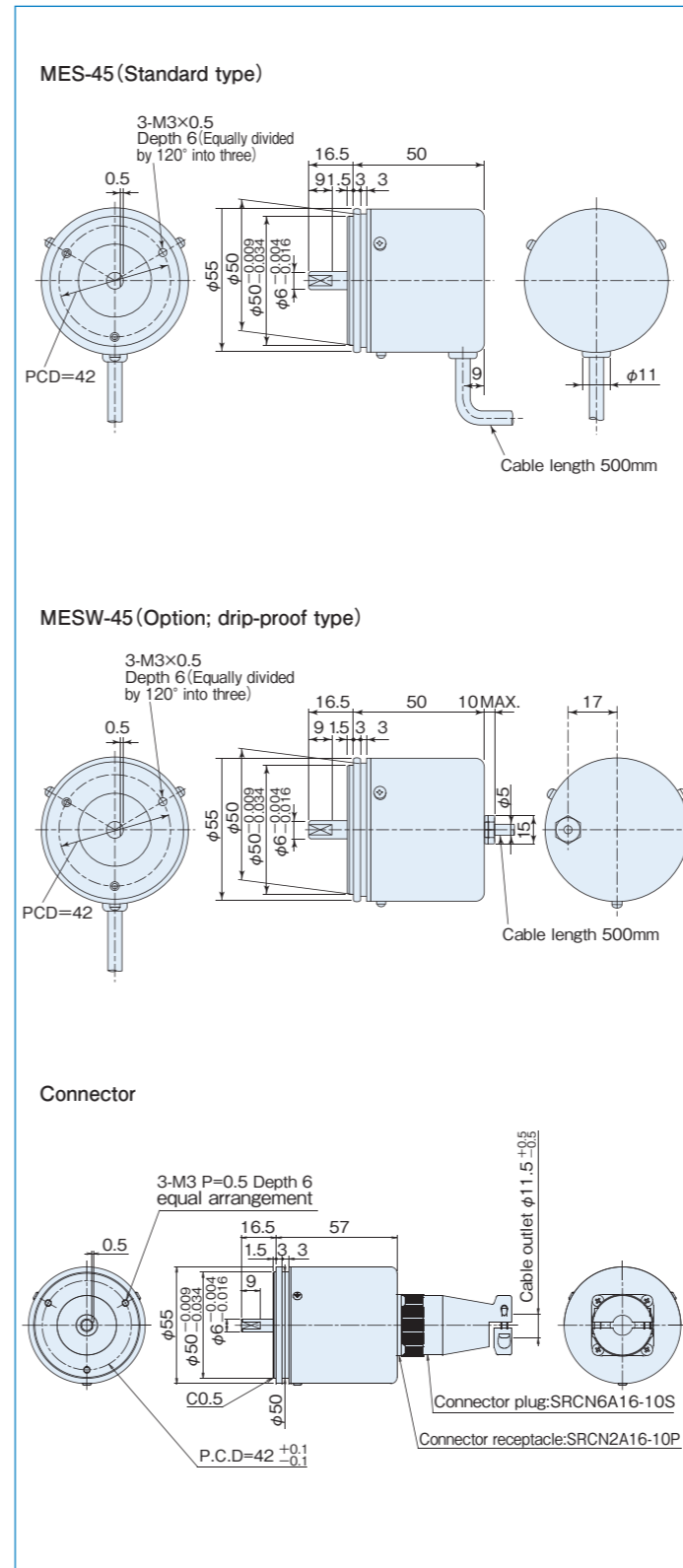


Old model: RK1·RKW1

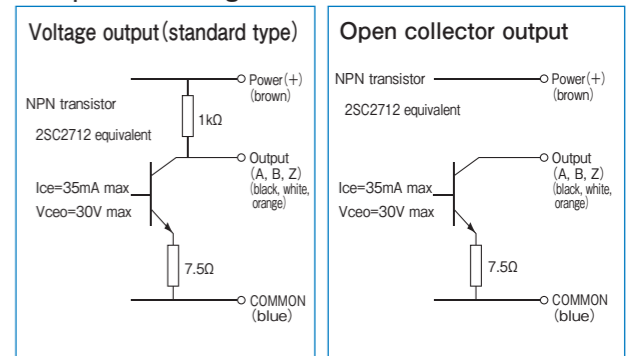
## Specifications

Item	Type name	MES-45-1000-05C																					
		<ul style="list-style-type: none"> <li>No entry=standard type</li> <li>W=drip-proof type</li> <li>Resolution</li> <li>Input voltage                             <ul style="list-style-type: none"> <li>05=5V</li> <li>12=12V</li> <li>24=24V</li> </ul> </li> <li>Output circuit                             <ul style="list-style-type: none"> <li>No entry=voltage output</li> <li>C=open collector output</li> <li>D=differential driver output</li> </ul> </li> </ul>																					
Supply voltage		DC5V -5%~12V+10% (voltage output/differential driver output) DC5V -5%~24V+15% (open collector output)																					
Current consumption		120mA max (voltage output) 100mA max (open collector output) 150mA max (differential driver output: driver no load)																					
Output pulse number (Standard) [Pulse number/rotation]		<table border="1"> <tr> <td>360</td> <td>1,024</td> <td>3,000</td> </tr> <tr> <td>500</td> <td>1,200</td> <td>3,200</td> </tr> <tr> <td>512</td> <td>1,500</td> <td>3,600</td> </tr> <tr> <td>600</td> <td>1,800</td> <td>4,096</td> </tr> <tr> <td>720</td> <td>2,000</td> <td>5,000</td> </tr> <tr> <td>800</td> <td>2,048</td> <td>6,000</td> </tr> <tr> <td>1,000</td> <td>2,500</td> <td>9,000</td> </tr> </table>	360	1,024	3,000	500	1,200	3,200	512	1,500	3,600	600	1,800	4,096	720	2,000	5,000	800	2,048	6,000	1,000	2,500	9,000
360	1,024	3,000																					
500	1,200	3,200																					
512	1,500	3,600																					
600	1,800	4,096																					
720	2,000	5,000																					
800	2,048	6,000																					
1,000	2,500	9,000																					
Maximum response frequency		200kHz																					
Allowable load of shaft (electrical)	Radial	49.0N (5kgf)																					
	Thrust	29.4N (3kgf)																					
Maximum allowable revolutions (mechanical)		6,000r/min																					
Working ambient temperature/humidity		-10°C~70°C/ RH95% max no dewing																					
Storing ambient temperature		-30°C~80°C																					
Vibration resistance		Durability 0-500Hz, double amplitude 1.52mm 2 hours each in X, Y, and Z directions																					
Impact resistance		Durability 490m/s <sup>2</sup> (about 50G) 3 times each in X, Y, and Z directions																					
Cable		Outside diameter φ5 5-core vinyl wire AWG28 Insulated shield cable (length 500mm)																					
Mass		280g																					

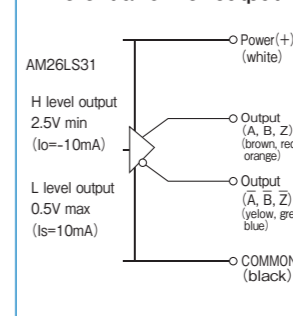
## Outside dimensions



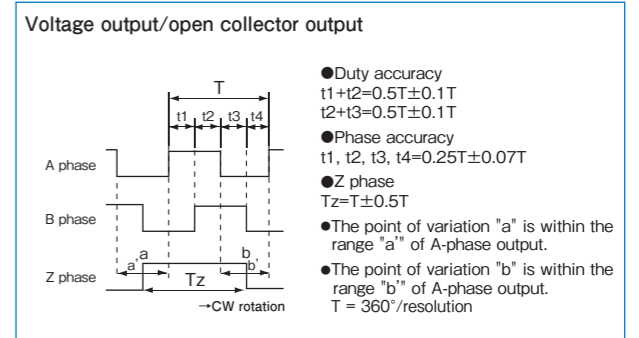
## Output circuit diagram



## Differential driver output



## Output waveform



## Differential driver output

