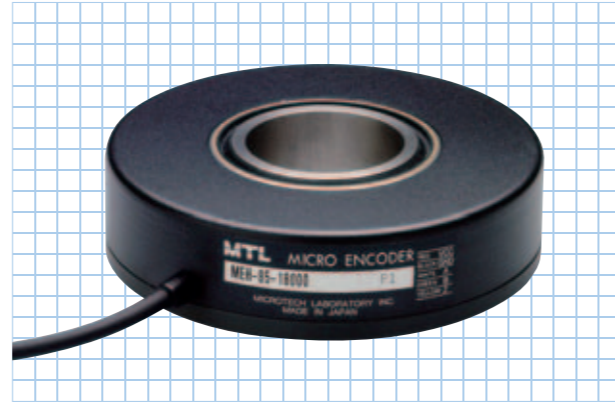


MEH-85-P series

[Square Wave/Incremental]

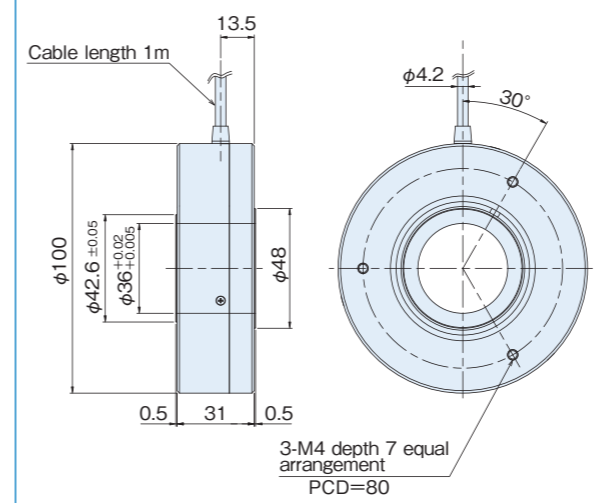
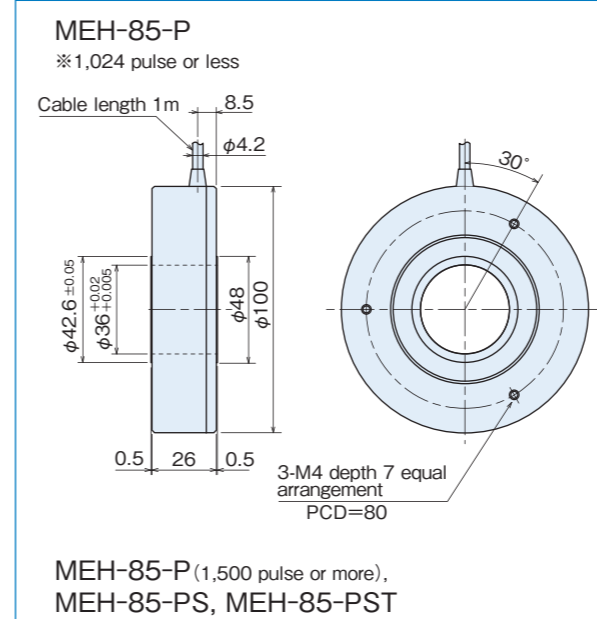


Specifications

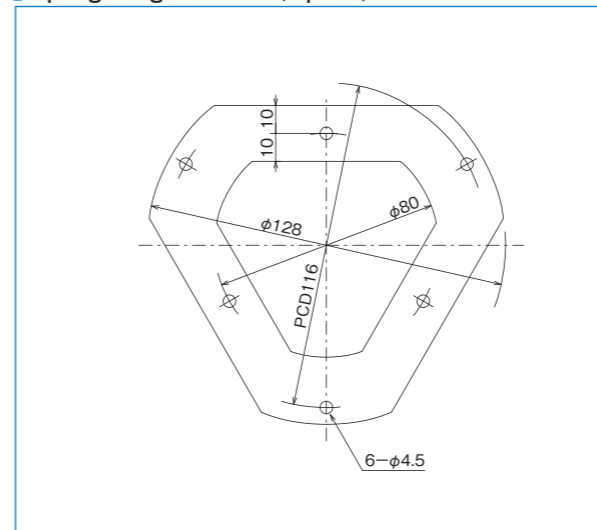
Item	Type name	MEH-85- <input type="checkbox"/> P <input type="checkbox"/>		
		Pulse number: <input type="checkbox"/> Output circuit: ●No entry=voltage output ●C=open collector output ●C4=open collector output DC24V ●E=line driver output ●ST <input type="checkbox"/> (2·4·5·8·10·16·20)		
		Square wave Voltage/Open collector:DC5V-5%~12V+10% Open collector DC24V:DC24V±10% Line driver:DC5V±5%		
Supply voltage		Voltage:DC5V-5%~12V+10% Open collector:DC5V-5%~24V+10% Line driver:DC5V±5%		
Current consumption		Voltage/Open collector output:60mA or less (under no load) Line driver:140mA or less (under no load)		
Detection system		Incremental		
Output pulse number (Standard) [Pulse number/rotation]	150	1,500	20,250 (*)	
	200	3,600	21,600 (*)	
Output phase	500	4,500		
	1,000	5,400		
	1,024	5,625		
		7,200 (*)		
		8,192 (*)		
		10,800 (*)		
		11,250 (*)		
		18,000 (*)		
	Output phase difference	A, B, Z phase		A, B, Z phase
	Output form	Square wave		Square wave
Output capacity	Sink current:20mA Residual voltage:0.5V or less (at 10mA)		-	
Maximum response frequency (response pulse number)	100kHz		Voltage/Open collector output:100kHz Line driver output:75kHz× (by multiplication)	
Waveform rise/fall time	2μs or less (output cable 1m or less)		-	
Allowable load of shaft (electrical)	Radial	9.8N (1kgf)	9.8N (1kgf)	
	Thrust	4.9N (0.5kgf)	4.9N (0.5kgf)	
Maximum allowable revolutions (mechanical)	1,000r/min		1,000r/min	
Working ambient temperature/humidity	0°C~60°C RH35%~90% no dewing		0°C~60°C RH35%~90% no dewing	
Storing ambient temperature	-20°C~80°C		-20°C~80°C	
Vibration resistance	Durability 55Hz, double amplitude 1.5mm 2 hours each in X, Y, and Z directions		Durability 55Hz, double amplitude 1.5mm 2 hours each in X, Y, and Z directions	
Impact resistance	Durability 500m/s ² (about 50G) 3 times each in X, Y, and Z directions		Durability 500m/s ² (about 50G) 3 times each in X, Y, and Z directions	
Cable	Outside diameter φ4.2 5-core vinyl wire AWG28 Insulated shield cable (length 1m)		Outside diameter φ4.2 5-core vinyl wire AWG28 Insulated shield cable (length 1m)	
Mass	520g	620g	1,050g	

*Handled by built-in multiplier circuit

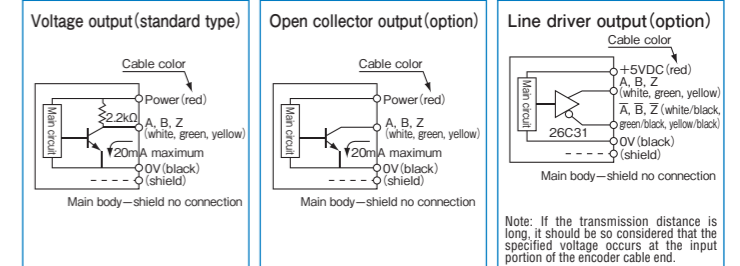
Outside dimensions



Spring flange MEH-85 (Option)

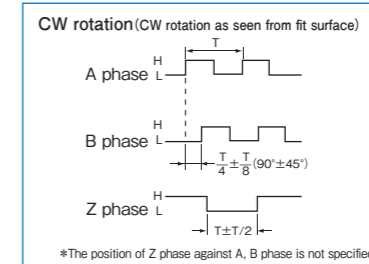


Output circuit diagram



A capacitor (0.1μF) is connected between 0V and FG (frame ground).

Output waveform (Square wave)



Output waveform/Built-in multiplication circuit (x2·x4·x5·x8·x10·x16·x20)

