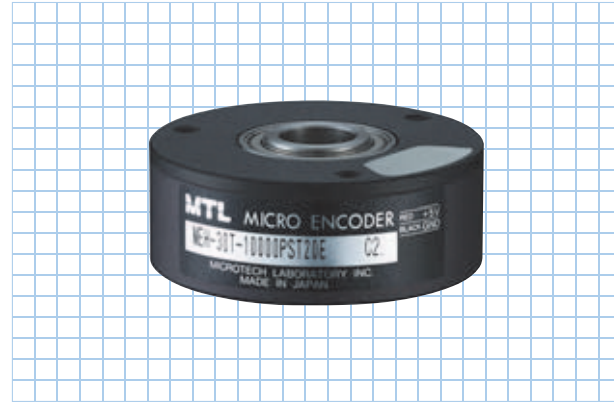


MEH-30T series

[Square Wave/Incremental]

- External $\phi 44$
- 18mm-high thin incremental encoder (hollow axle)

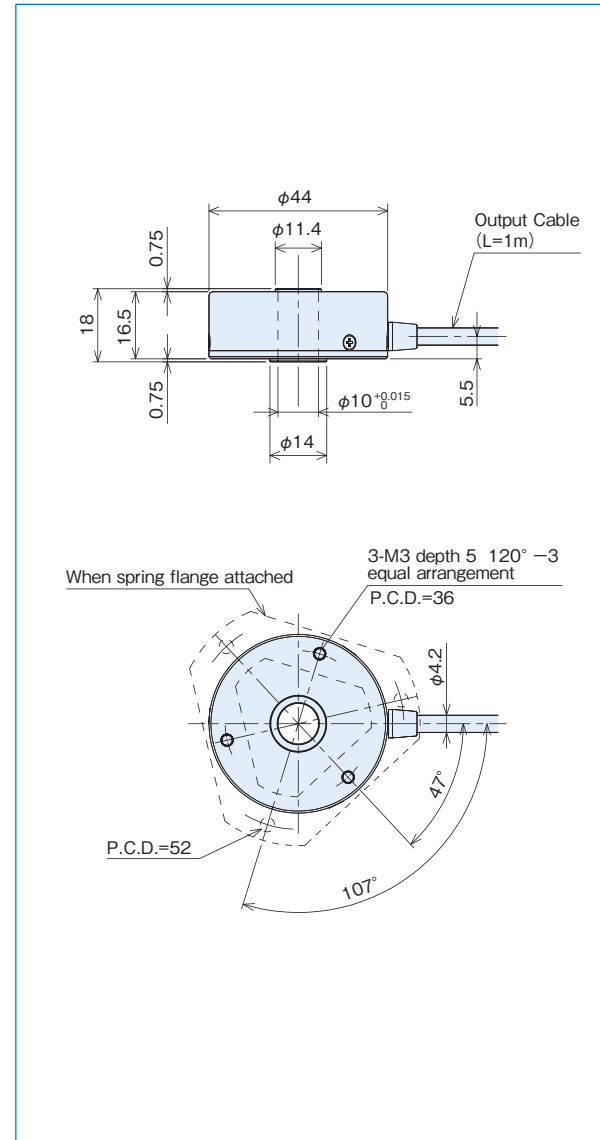


Specifications

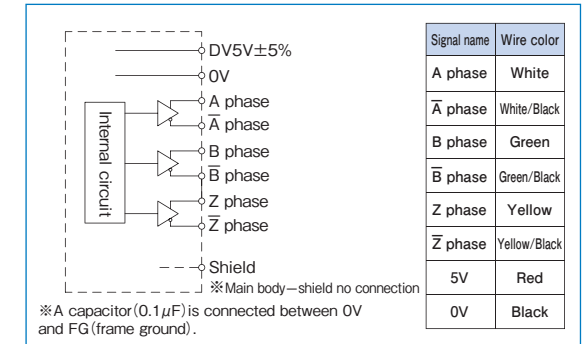
| | |
|--------------------------------------|---|
| Type name | MEH-30T- <input type="text" value="10000"/> <input type="text" value="PST"/> <input type="text" value="20"/> <input type="text" value="E"/> |
| Item | <div style="display: flex; justify-content: space-around; align-items: center;"> <div style="text-align: center;"> <p>Pulse number</p> <p><input type="text" value="10000"/></p> </div> <div style="text-align: center;"> <p>By multiplication ($\times 2, 4, 5, 8, 10, 16, 20$)</p> <p><input type="text" value="PST"/> <input type="text" value="20"/></p> </div> </div> |
| Detection system | Incremental |
| Output phase | A, \bar{A} , B, \bar{B} , Z, \bar{Z} phase |
| Output form | Square, Line driver output |
| Output pulse number (P/R)* | 20000 (10000 $\times 2$), 40000 (10000 $\times 4$) 50000 (10000 $\times 5$), 80000 (10000 $\times 8$) 100000 (10000 $\times 10$), 160000 (10000 $\times 16$) 200000 (10000 $\times 20$) |
| Output | Phase difference between neighboring A/B phases: $T/4 \pm T/8$ Waveform ratio of 1T: $T \pm 0.3t$ Z phase width: $T \pm T/2$ (Synchronized with 1T of B phase) |
| Supply voltage | DC5V $\pm 5\%$ |
| Current consumption | 100mA or less |
| Maximum response frequency | 50kHz \times division ratio (2, 4, 5, 8, 10, 16, 20) |
| Output capacity | Output current (I_o): $\pm 20\text{mA}_{\text{max}}$. Output voltage V_{ol} : 0.5V $_{\text{max}}$. V_{oh} : 2.5V $_{\text{min}}$. |
| Maximum allowable revolutions | 6000r/min |
| Working ambient temperature/humidity | $-10^\circ\text{C} \sim +70^\circ\text{C}$ RH35% \sim 90% no dewing |
| Storing ambient temperature | $-20 \sim +80^\circ\text{C}$ |
| Vibration resistance | Durability 55Hz, double amplitude 1.5mm 2 hours each in X, Y, and Z directions |
| Impact resistance | Durability 500m/s ² (about 50G) 3 times each in X, Y, and Z directions |
| Cable | Outside diameter $\phi 4.2$ 8-core vinyl wire AWG28 Insulated shield cable (length 1m) |
| Mass | 140g (excluding cable) |

*Output pulse numbers other than 10000P/R are scheduled to be added in the near future.

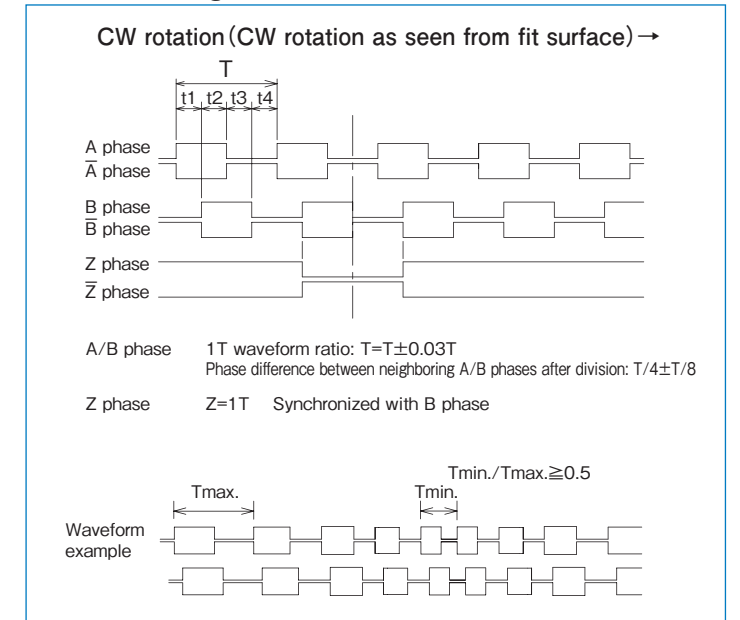
Outside dimensions



Output circuit diagram and connection diagram



Connection diagram



Spring flange MEH-30 (Option)

