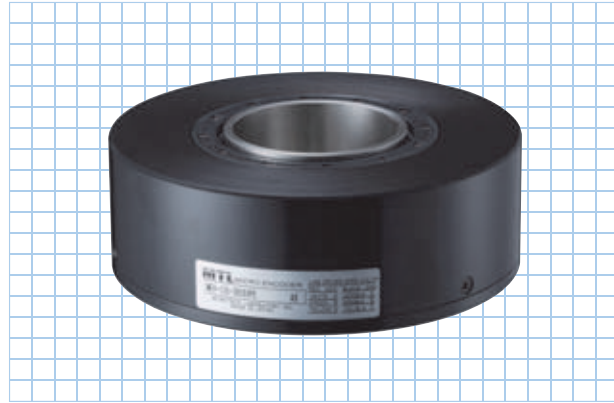


MEH-130-P series

[Square Wave/Incremental]

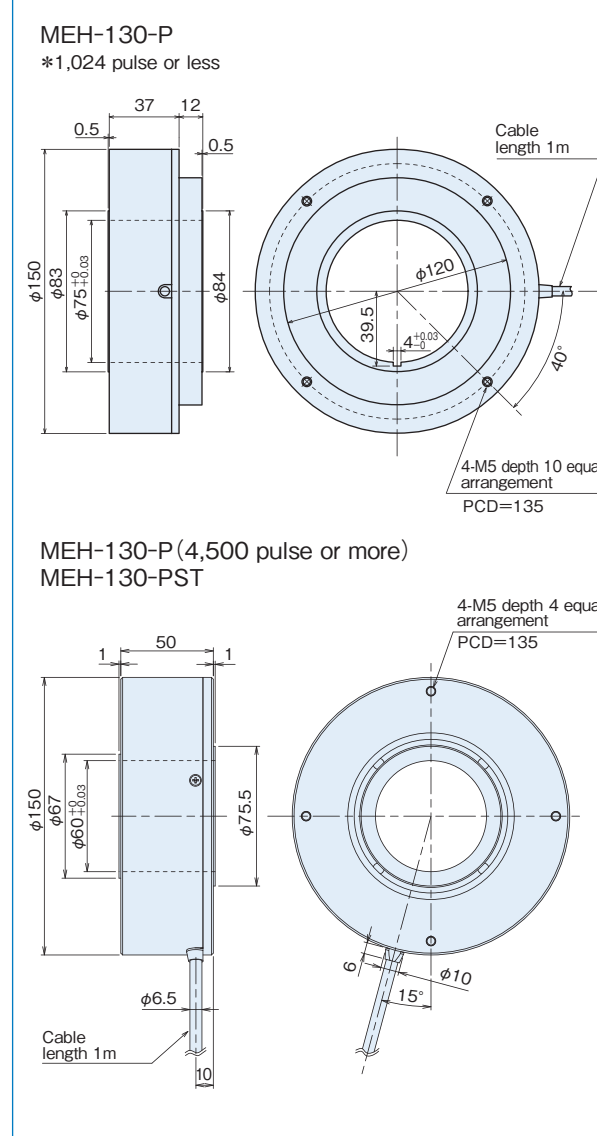


Specifications

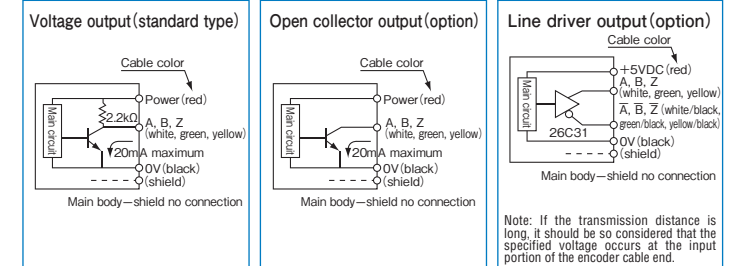
| Item | Type name | MEH-130- <input type="checkbox"/> P <input type="checkbox"/> | |
|--|--|--|--------------|
| | | Pulse number: <input type="checkbox"/> No entry=voltage output <input type="checkbox"/> C=open collector output Output circuit: <input type="checkbox"/> No entry=voltage output <input type="checkbox"/> C=open collector output •E=line driver output •ST <input type="checkbox"/> (2·4·5·8·10·16·20) | |
| | | Square wave Built-in multiplication circuit (x2·x4·x5·x8·x10·x16·x20) | |
| Supply voltage | Voltage / Open collector: DC5V-5%~12V+10% Open collector DC24V: DC24V±10% Line driver: DC5V±5% | Voltage: DC5V-5%~12V+10% Open collector: DC5V-5%~24V+10% Line driver: DC5V±5% | |
| Current consumption | 1,024 pulse or less 60mA or less 4,500 pulse or more 100mA or less (under no load) | 150mA or less (under no load) | |
| Detection system | Incremental | Incremental | |
| Output pulse number (Standard) [Pulse number/rotation] | 360 | 5,000 | 28,125 (*) |
| | 512 | 9,000 | 32,400 (*) |
| | 600 | 11,250 (*) | 36,000 (*) |
| | 1,024 | 20,250 (*) | |
| | 4,500 | 25,000 (*) | |
| Output phase | A, B, Z phase | A, B, Z phase | |
| Output form | Square wave | Square wave | |
| Output capacity | Sink current: 20mA Residual voltage: 0.5V or less (at 10mA) | - | |
| Maximum response frequency (response pulse number) | 100kHz | Line driver output: 75kHz× (by multiplication) Open collector output: 100kHz | |
| Output phase difference | A, B phase difference 90°±45° (T/4±T/8) Z phase T±T/2 (see Output Waveform) | Refer to the figure on the right | |
| Waveform rise/fall time | 2μs or less (output cable 1m or less) | - | |
| Allowable load of shaft (electrical) | Radial | 19.6N (2kgf) | 19.6N (2kgf) |
| | Thrust | 9.8N (1kgf) | 9.8N (1kgf) |
| Maximum allowable revolutions (mechanical) | 1,000r/min | 1,000r/min | |
| Working ambient temperature/humidity | 0°C~60°C RH35%~90% no dewing | 0°C~60°C RH35%~90% no dewing | |
| Storing ambient temperature | -20°C~80°C | -20°C~80°C | |
| Vibration resistance | Durability 55Hz, double amplitude 1.5mm 2 hours each in X, Y, and Z directions | Durability 55Hz, double amplitude 1.5mm 2 hours each in X, Y, and Z directions | |
| Impact resistance | Durability 500m/s ² (about 50G) 3 times each in X, Y, and Z directions | Durability 500m/s ² (about 50G) 3 times each in X, Y, and Z directions | |
| Cable | Outside diameter φ4.2 vinyl wire AWG28 (1024P/R or less) Outside diameter φ6.5 (14-core) vinyl wire (4500P/R or more) Insulated shield cable (length 1m) | Outside diameter φ6.5 14-core vinyl wire AWG28 Insulated shield cable (length 1m) | |
| Mass | 3kg | 3kg | |

*Handled by built-in multiplier circuit

Outside dimensions

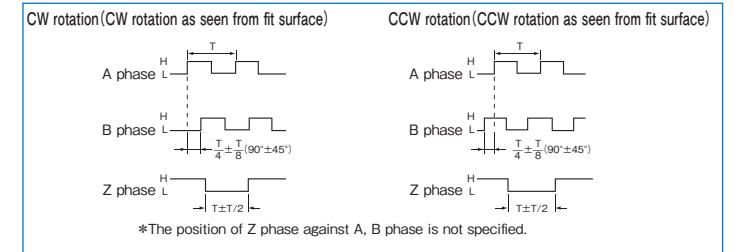


Output circuit diagram

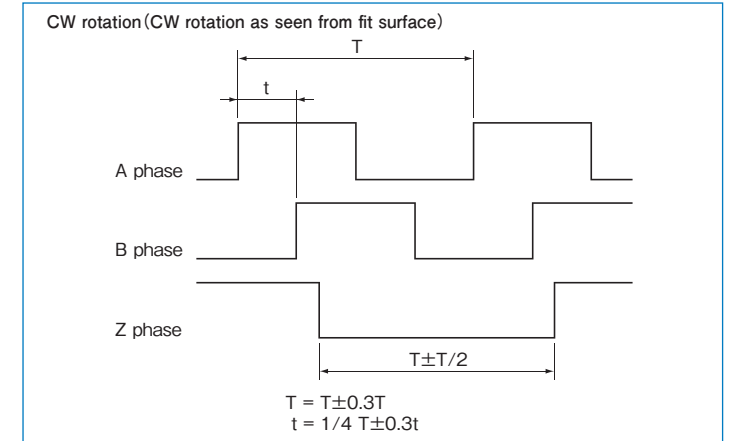


A capacitor (0.1μF) is connected between 0V and FG (frame ground).

Output waveform (Square wave)



Output waveform / Built-in multiplication circuit (x2·x4·x5·x8·x10·x16·x20)



Spring flange MEH-130 (Option)

